

## COSMOS MIRRORS

### BOX CONTENTS:

COSMOS Mirror | Instructions booklet | Fixing Kit (2 Wall Brackets and Fixing Screws)

FAQ's	CMM50P	CMM50V	CMM050	CMM060	CMM60C	CMM80C
Can the mirror be hung landscape?	N	N	Y	Y	NA	
Does this mirror have frosting?	Yes					
What is the thickness of the mirror glass?	4mm					
Where is the switch sensor located?	Bottom Centre	Bottom Centre	Bottom Centre (Portrait) / Right (Landscape)		Bottom Centre	
Is this mirror IP44 Rated?	Yes – Suitable for use in bathroom zone 2					
Can the LED lighting be replaced?	No					
Can the switch sensor be replaced?	Yes					
What size fuse should I use?	Seek the advice of an electrician					
How do I turn ON the demister pad?	The demister pad will turn ON/OFF when the mirror lights are turned ON/ OFF. To activate or deactivate the demister pad independently, press the right touch sensor with the demister icon. When the demister sensor icon light is ON the antifog function will be active. Demister automatically turns off after 60 minutes. See user manual for more information.					
Where is the demister pad located?	Please refer to technical drawings for demister pad location.					
Are illuminated cabinets/mirrors supplied with mains cable?	All illuminated mirrors are supplied with a removeable 500mm mains cable. There is ample storage for excess cable in the back of the unit.					

# TECHNICAL DATA SHEET

## ELECTRICAL SPECIFICATION

	Input Voltage	Lamp Type	Total Wattage (W)	Demist (W)	Demist Size (mm)	LEDs (W)	Energy Rating	CCT (K)	CRI	IP Rating	Electrical Class	Max LED Output (lm)	Max Product Output (lm)
CMM60C	220-240V 50Hz	12V DC LED Lamp	34.4	16.0	250*250	18.4	E	2700-6400	85	IP44	Class II	2040	2365.90
CMM80C	220-240V 50Hz	12V DC LED Lamp	60.0	35.0	310*450	25.0	E	2700-6400	85	IP44	Class II	2790	3013.90
CMM50P	220-240V 50Hz	12V DC LED Lamp	46.6	25.0	250*400	21.6	E	2700-6400	85	IP44	Class II	2400	2779.30
CMM050	220-240V 50Hz	12V DC LED Lamp	51.0	28.0	320*350	23.0	E	2700-6400	85	IP44	Class II	2580	3041.90
CMM060	220-240V 50Hz	12V DC LED Lamp	72.5	45.0	400*450	27.5	E	2700-6400	85	IP44	Class II	3060	3357.80
CMM50V	220-240V 50Hz	12V DC LED Lamp	31.4	13.0	200*250	18.4	E	2700-6400	85	IP44	Class II	2040	2365.90

Please note:

- Dimensions are subject to change. Customers are advised to measure actual product dimensions before commencing installation.
- Fixing point dimensions are for guidance only/the positions of wall fixing must be checked when product is received.
- We recommend to position the wall brackets at the measured distance minus 5mm to give some tolerance on hanging the mirror.

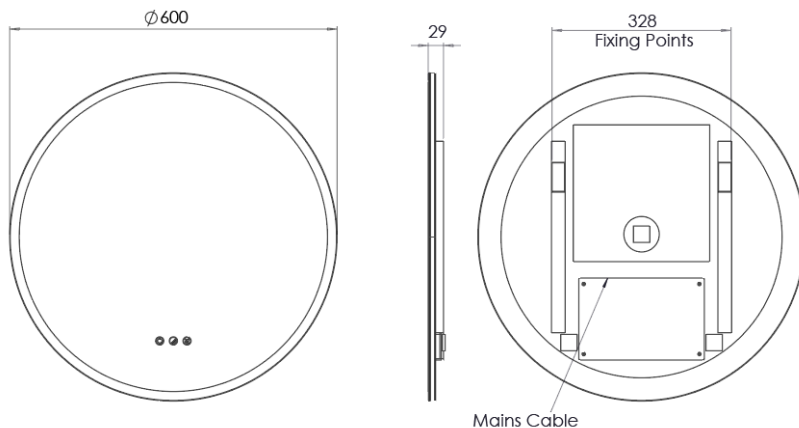
### MATERIALS

4mm Glass, PVC Backed

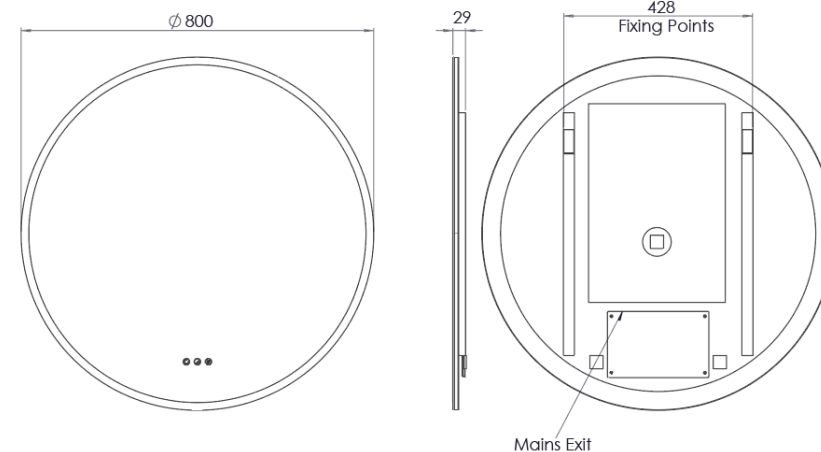
Acrylic Frame Diffuser

## TECHNICAL DRAWINGS

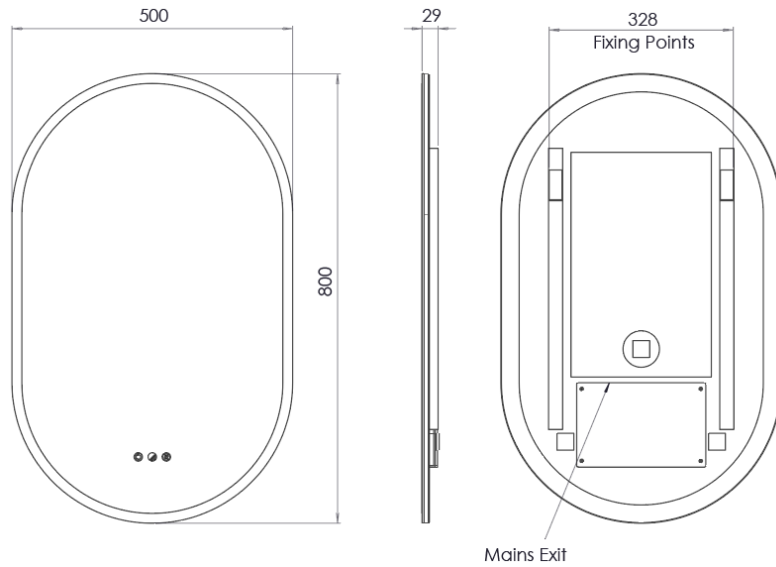
### CMM60C



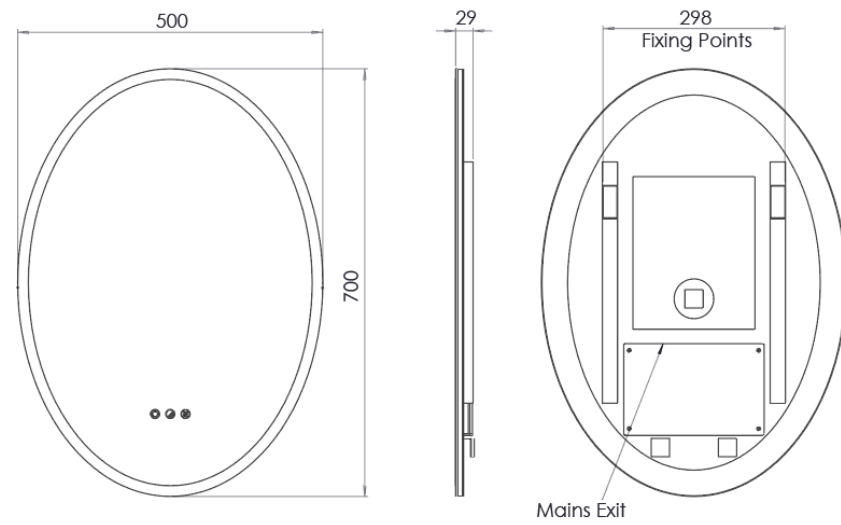
### CMM80C



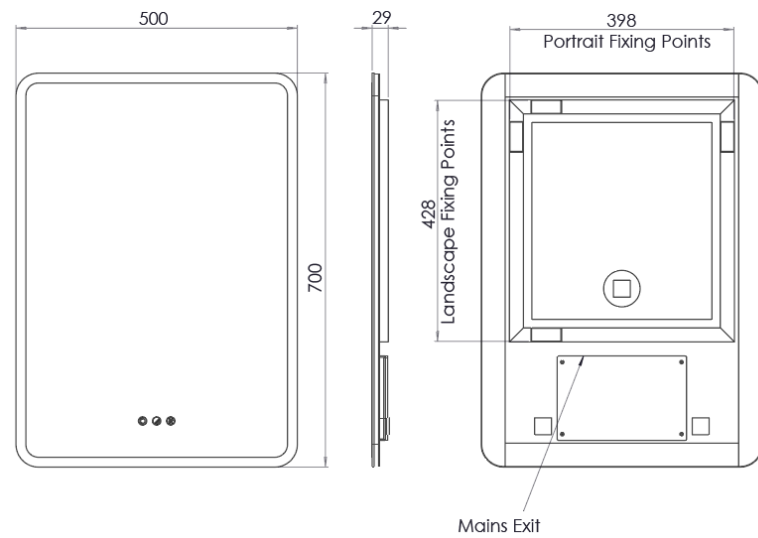
### CMM50P



### CMM50V



### CMM050



### CMM060

