

TECHNICAL DATA SHEET

Vitoria 2TH Cloakroom Basin

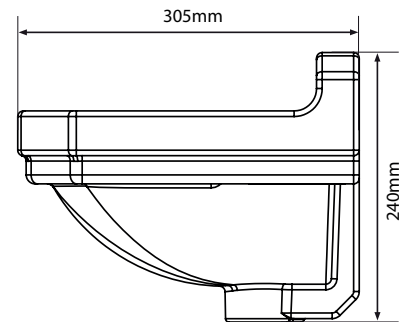
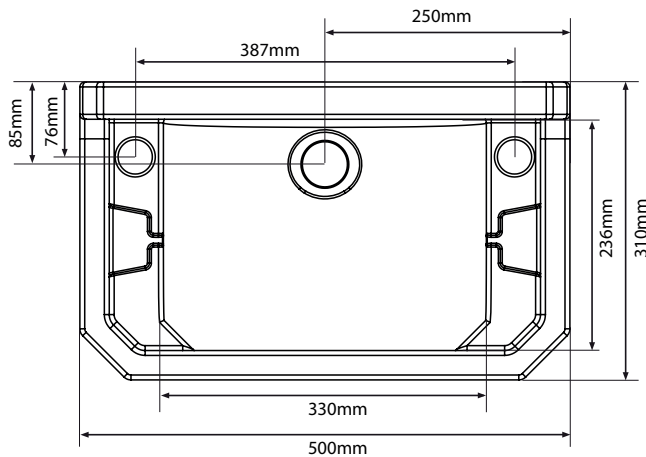
TAVISTOCK

NO.	Description	Product Code	Fixings included	Gross Weight
I	2 Tap Hole Cloakroom Basin	DB850CLS	YES	10KG



DIMENSIONS

DIAGRAMS NOT TO SCALE | ALL DIMENSIONS IN MM TOLERANCE OF ± 5MM
ALL PRODUCTS CONFORM TO BRITISH STANDARDS



*Dimensions are subject to change, customers are advised to measure actual product before commencing installation.

**Fixing point dimensions are for guidance only. The positions of fixings must be checked when product is received.

FAQs

Q - How is this basin wall mounted?
A - With basin brackets (not shipped) SPI7759

Q - Does this basin have an integrated overflow?
A - Yes

Q - What is the maximum water depth of the basin?
A - ?mm up to the overflow.

Key Dimensions Descriptions	Key Dimensions (mm)
Internal Basin Depth	?mm
Internal Basin Front to Back	236mm
Internal Basin Left to Right	330mm
Tap Ledge	N/A
Taphole Centre to Waste Centre	65mm
Taphole Centre to Back of Basin	76mm
Waste Centre to Back of Basin	85mm
Width of Basin	500mm
Depth of Basin	305mm