

TECHNICAL DATA SHEET

Dimension Wall Hung Basin 45x26cm ITH - DCI4008

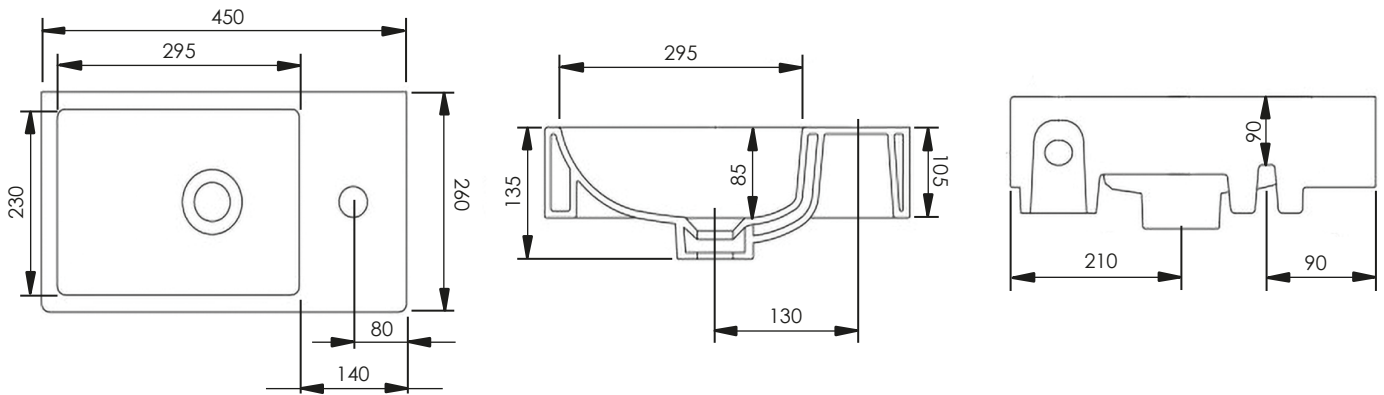
TAVISTOCK

NO.	Description	Product Code	Fixings included	Gross Weight
I	Dimension Wall Hung Basin 45x26cm ITH	DCI4008	NO	7KG



DIMENSIONS

DIAGRAMS NOT TO SCALE | ALL DIMENSIONS IN MM TOLERANCE OF ± 5 MM
ALL PRODUCTS CONFORM TO BRITISH STANDARDS



*Dimensions are subject to change, customers are advised to measure actual product before commencing installation.

**Fixing point dimensions are for guidance only. The positions of fixings must be checked when product is received.

FAQs

Q - What is the maximum water depth of the basin?

A - 85mm

Q - Can this basin be wall hung?

A - Yes, suitable fixings must be purchased to suit installation wall type.

Q - Does the basin have an integral overflow?

A - No, an unslotted waste must be used with this basin.

Q - What is the position of the fixing points?

A - The two fixing points are 90mm from the taphole edge and 135mm from the opposite edge.