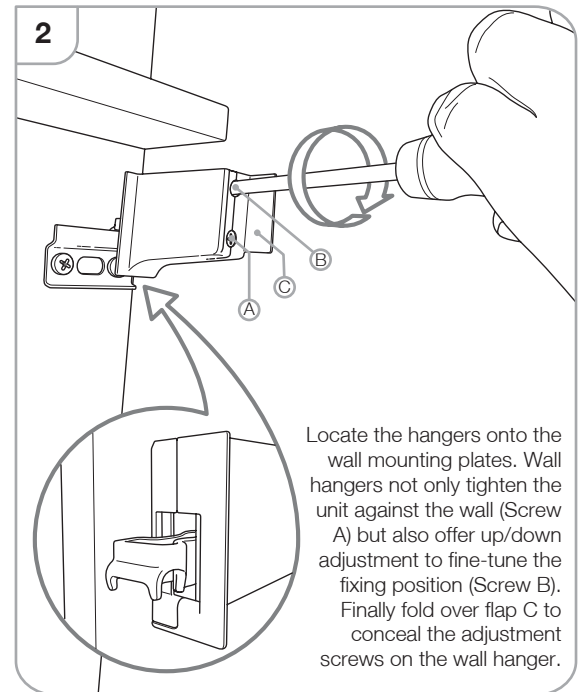
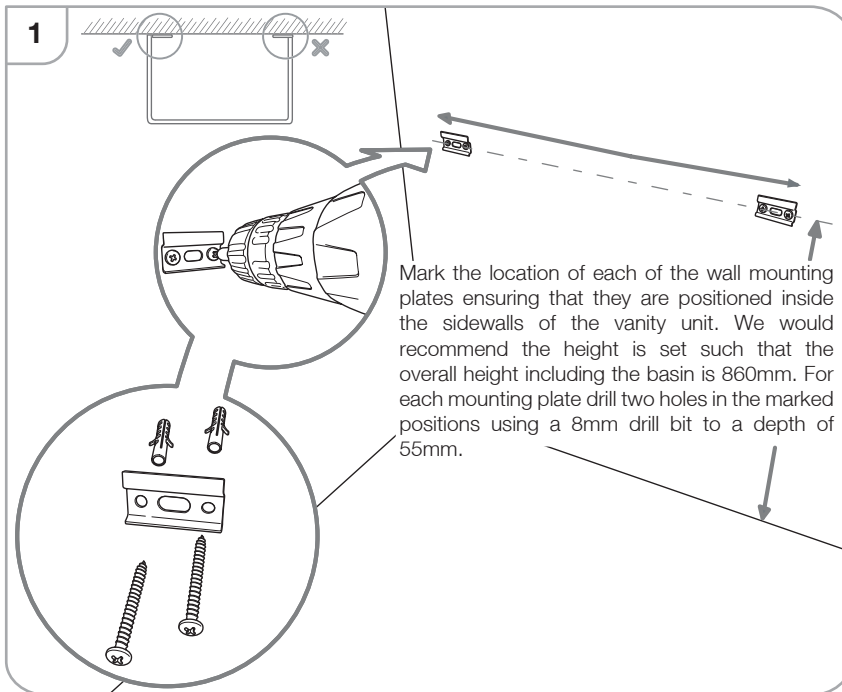


Please retain for future reference

Before you start

It is recommended that the unit and basin are secured to a suitably reinforced wall to ensure stability. The wall plugs supplied are only suitable for solid stone / brick walls. For plasterboard walls use specialist wall plugs along with supplementary wall strengthening as units can be very heavy. Seek advice from a specialist about the suitability of fixings to be used. Wear suitable eye protection when drilling. Take care when using power tools near water - the use of a residual current device (RCD) is recommended. Beware of hidden pipes or cables. Take care when drilling tiled surfaces as the drill might slip. Use a piece of masking tape to prevent the drill from wandering.



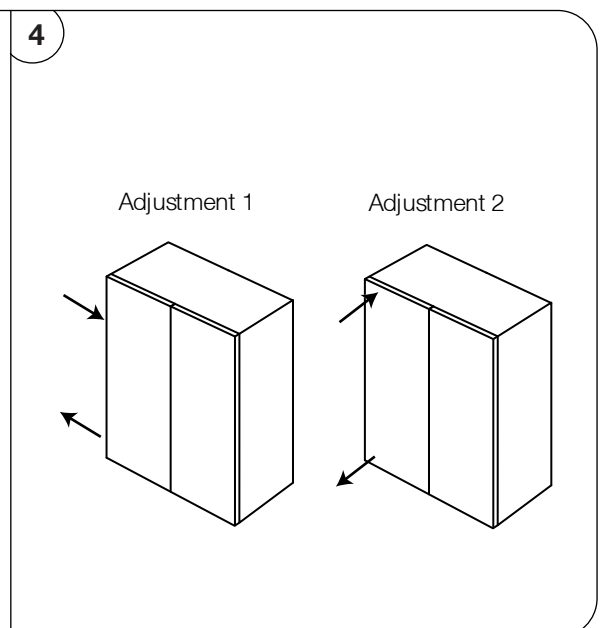
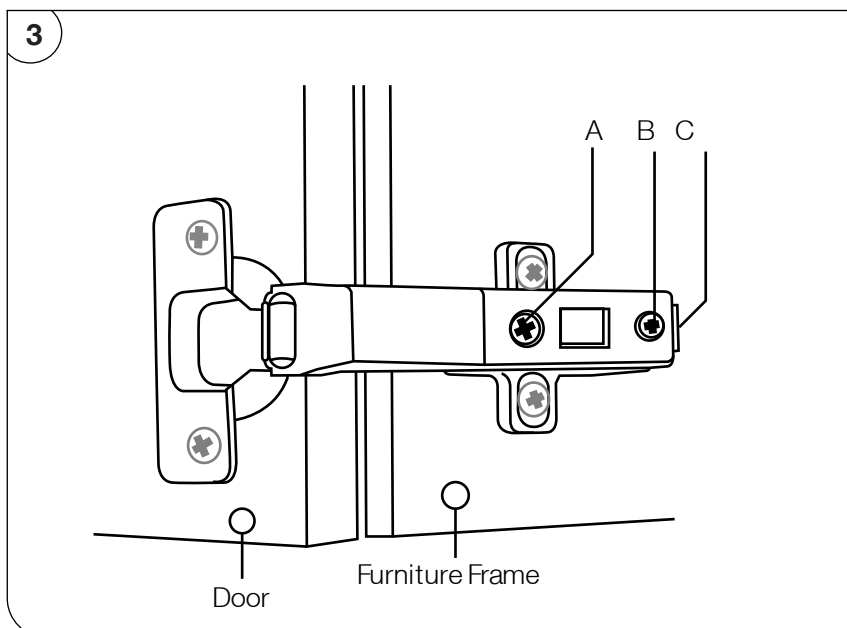
Hinge Adjustment

Hinges may require adjustment for both the doors to fit neatly together. This is achieved with the adjustable soft close hinges using the adjustment screws A and B (see instructions below). To access these you may first have to remove the screw cap cover. The hinges also feature a quick release mechanism to quickly and easily detach the door from the furniture frame.

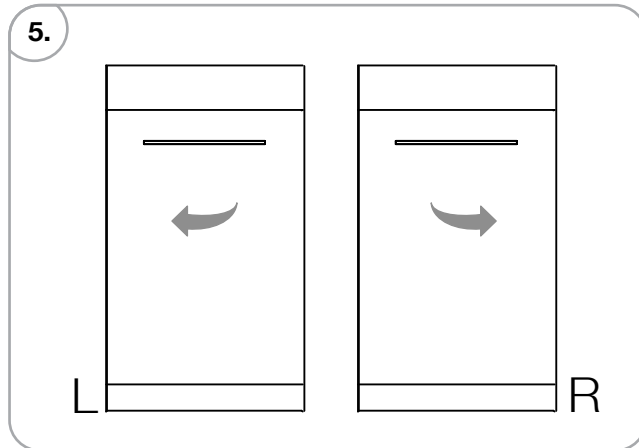
Screw A offers left / right adjustment for levelling up the doors (Adjustment 1).

Screw B offers forward / back adjustment (Adjustment 2).

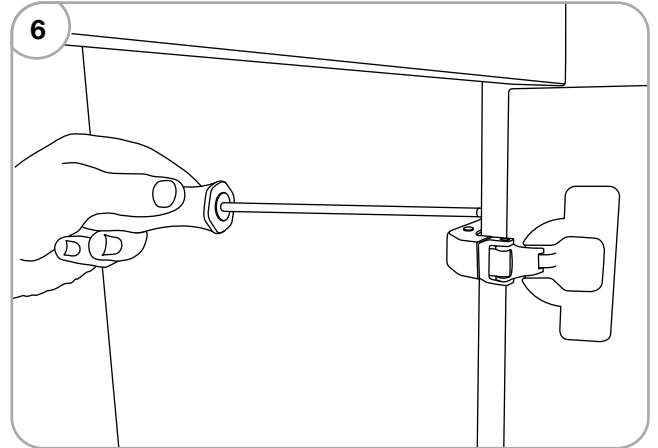
Button C is the quick release, press this on both hinges to remove a door by releasing the hinges from their mounting plates.



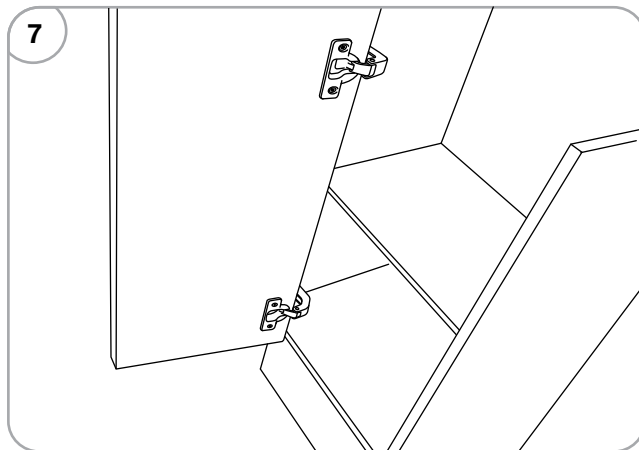
Reversing and handle attachment



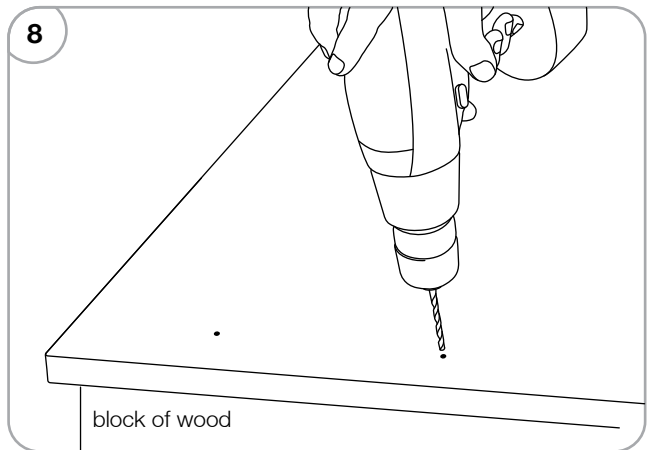
Depending on the intended location of the unit, you have the option of choosing whether you want a left or right hand opening door.



If the delivered configuration isn't suitable, remove door and hinge plates from unit using a suitable tool.



Reattach the door to the chosen side and replace cover caps in the obsolete hinge holes.



Once the handing has been chosen, remove the door using the quick release hinges. Place door on to a clean and smooth scrap piece of wood and carefully drill out the selected holes for the handle bolts.

Fitting handle

The handle can simply be screwed into place using the screws supplied

Fitting ceramic basin

Once the basin has been plumbed in finish by securing to the washstand using a silicone sealant (not supplied).

Furniture Aftercare Instructions

As with all wooden furniture, this product should be treated with care.

We recommend...

- Wipe away any water splashes or condensation after use. Excessive exposure to water will deteriorate the furniture.
- All bathrooms should be well ventilated with a suitable extractor fan.
- Clean with a soft damp cloth only.
- Use a wax free polish if one must be used.
- For removal of lime scale deposits use a suitable proprietary cleaner. Test on an inconspicuous area first.

Please DO NOT...

- Do not scrub or scour
- Do not use abrasive cleaning agents

Replacement components - Should you require any replacement components for this product please contact Tavistock using the contact details below.