

Installation & Aftercare Guide



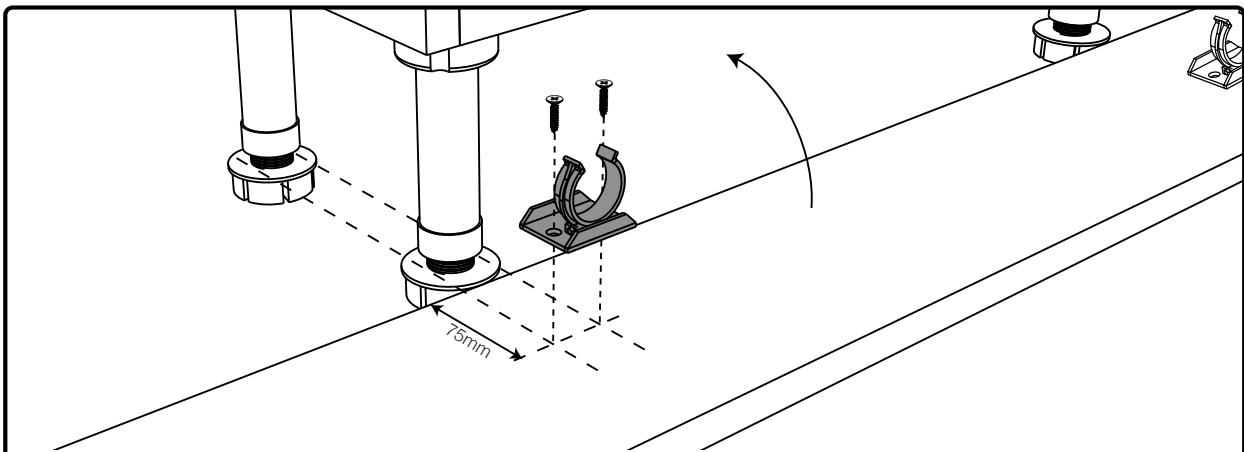
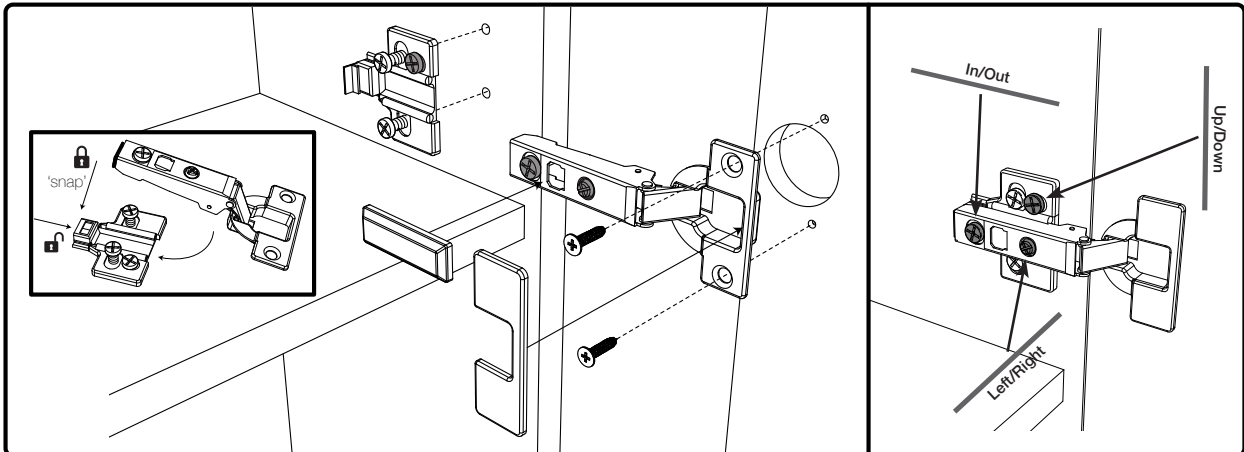
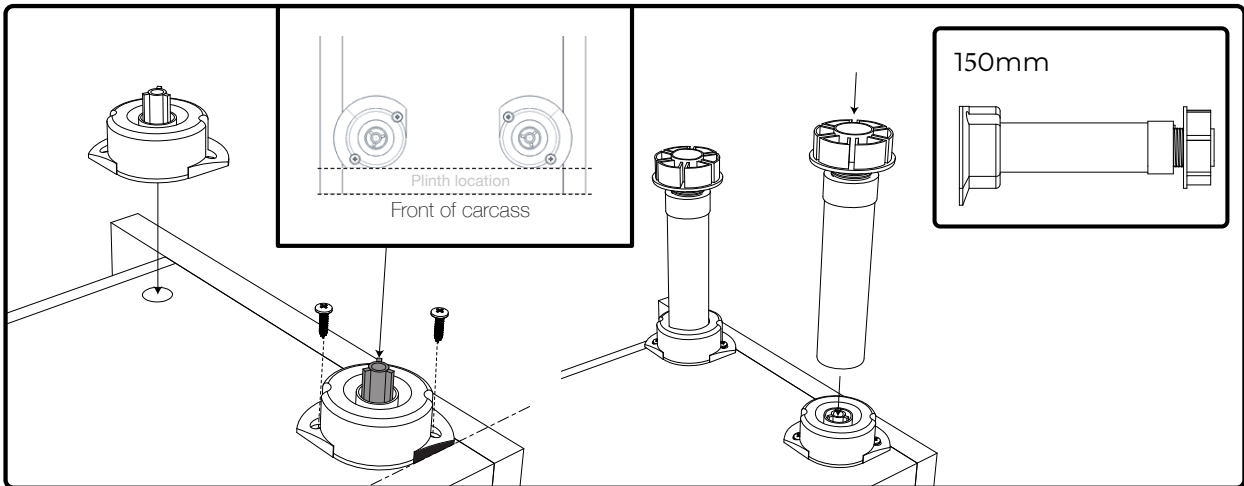
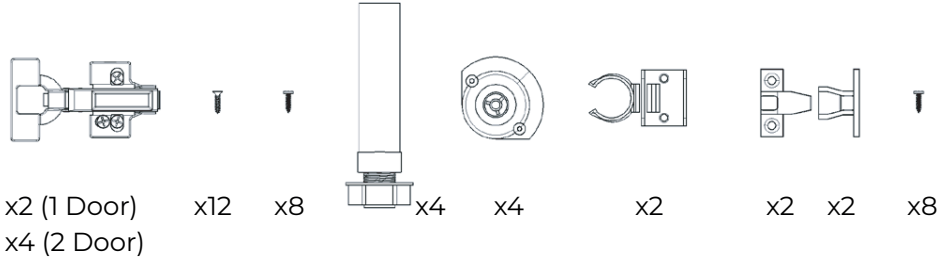
Kindly ensure that you review these guidelines thoroughly prior to initiating any work, and retain them as a reference for future use.

Contents

03	Basin Unit
04	Base Unit
05	Wall Hanging Unit
06	Back To Wall Unit
07	Care & Maintenance

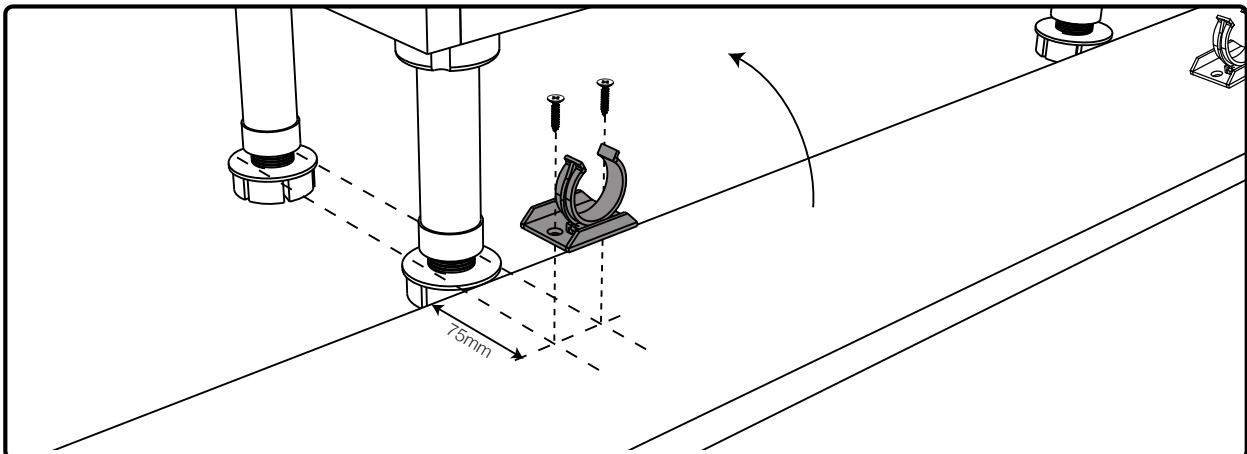
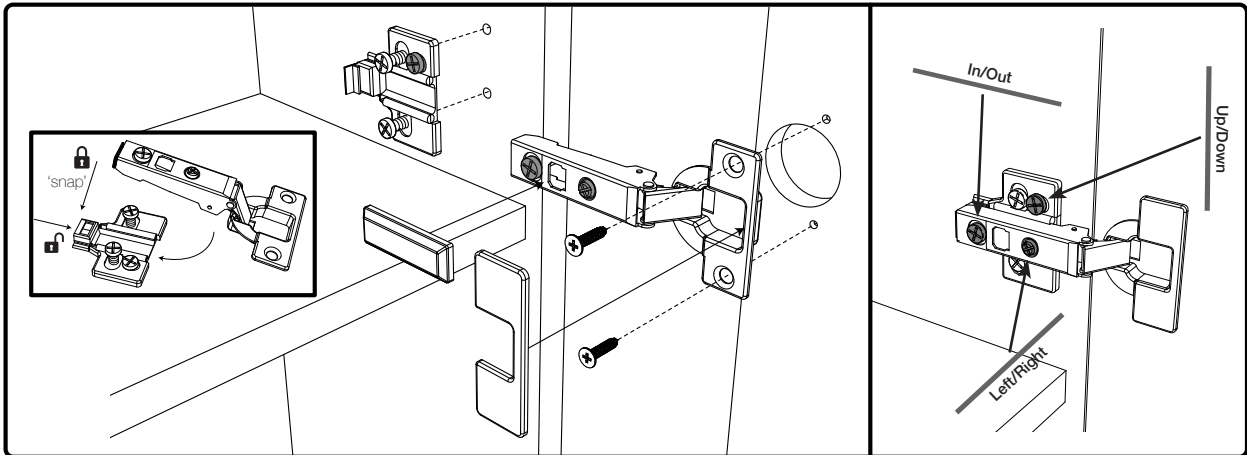
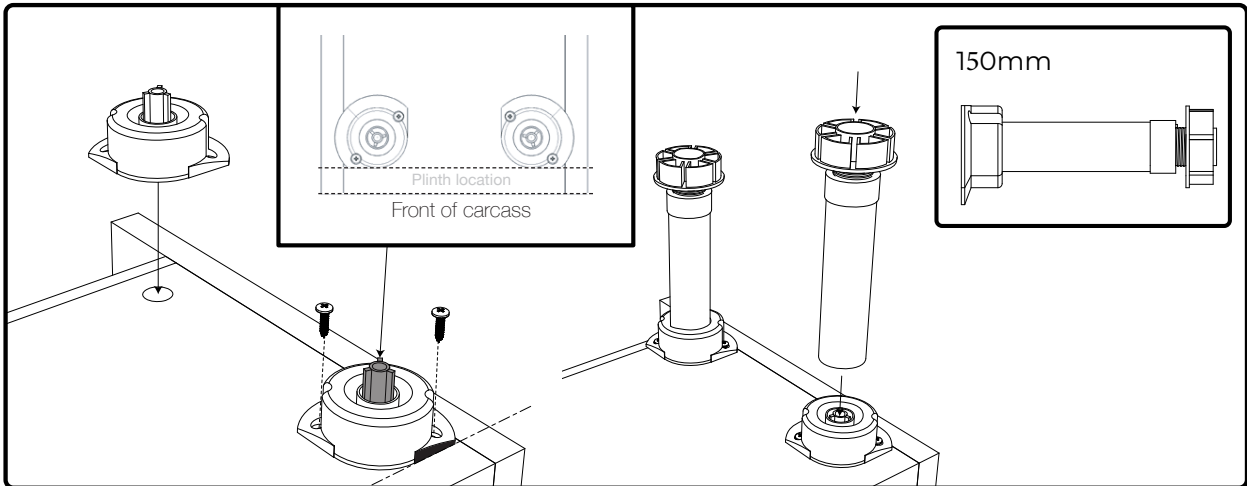
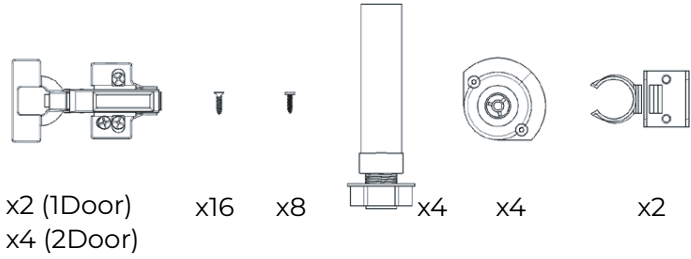
Installation Instructions Basin Unit

Contents



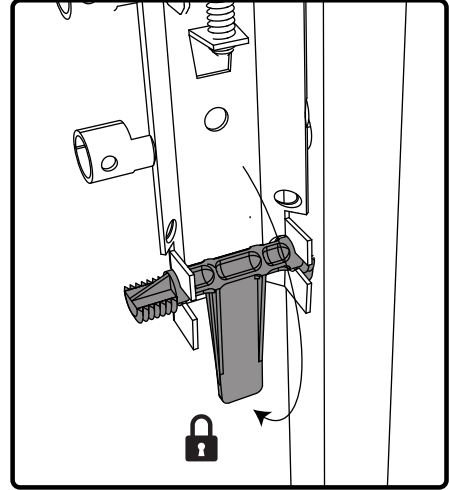
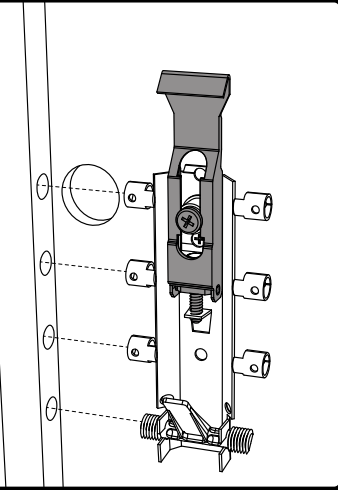
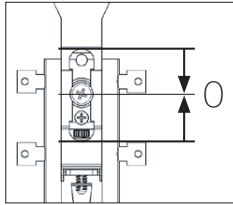
Installation Instructions Base Unit

Contents

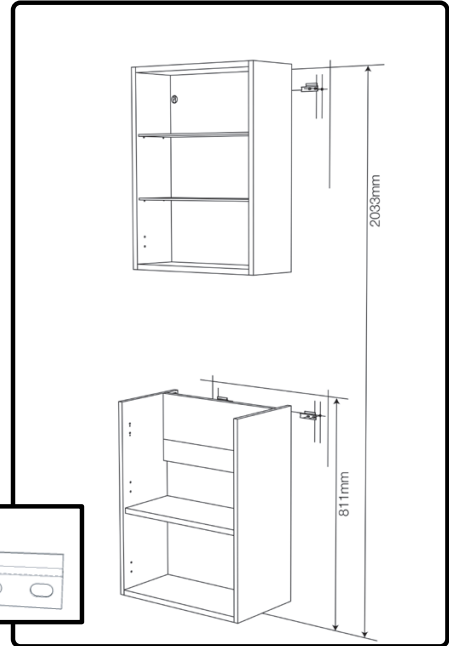
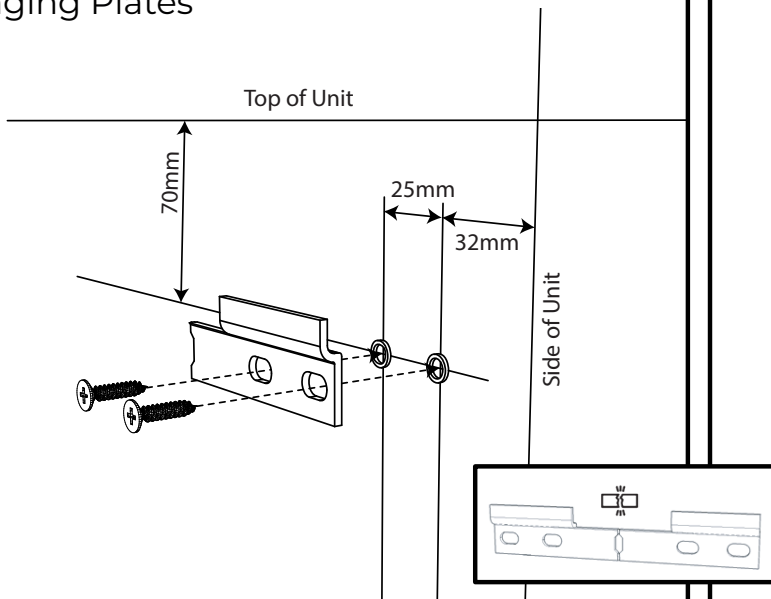


Installation Instructions Wall Hanging

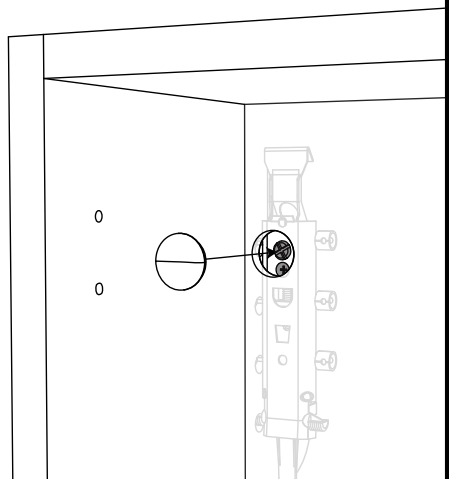
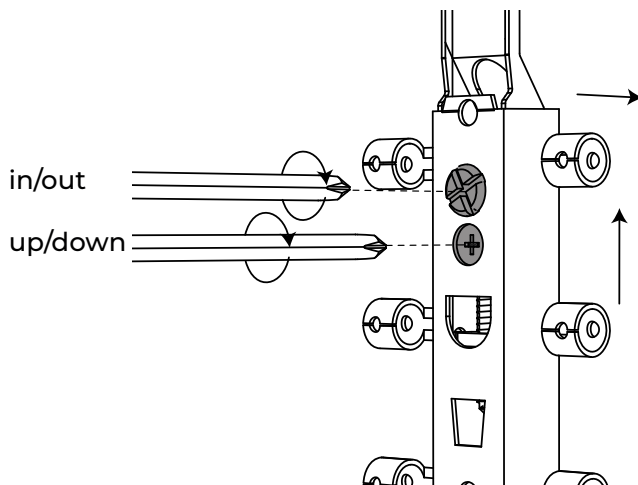
Hanging Brackets



Hanging Plates

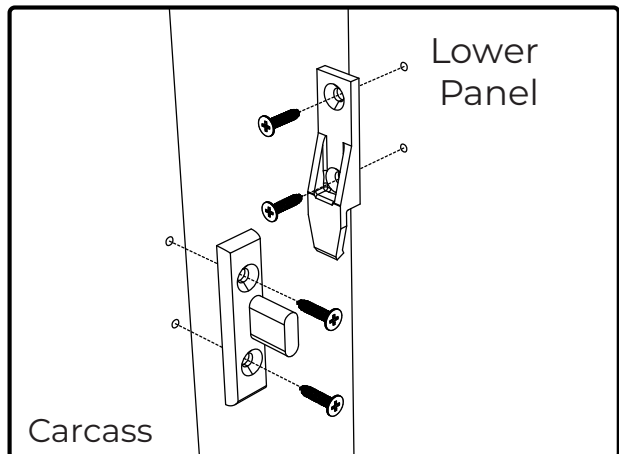
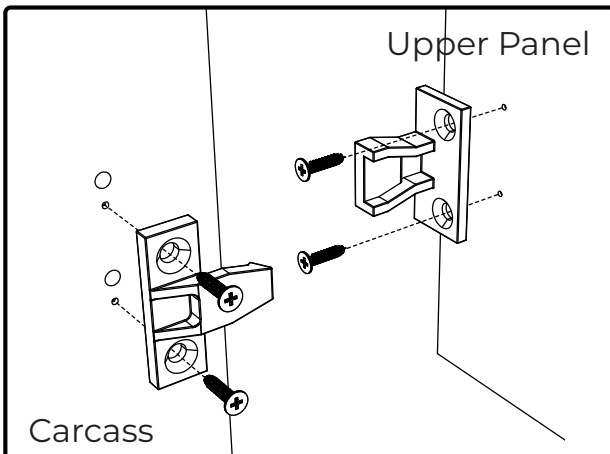
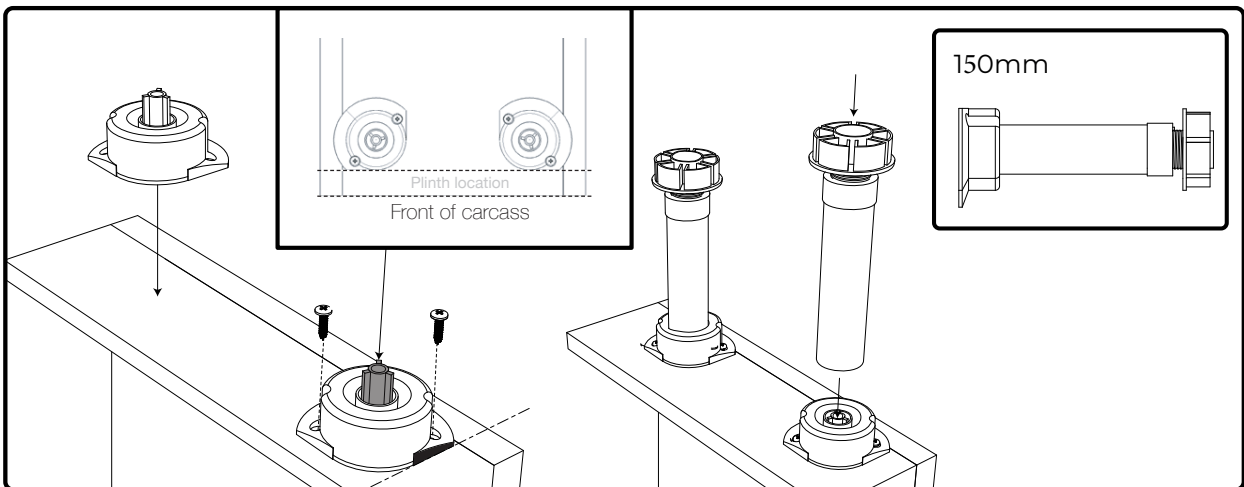
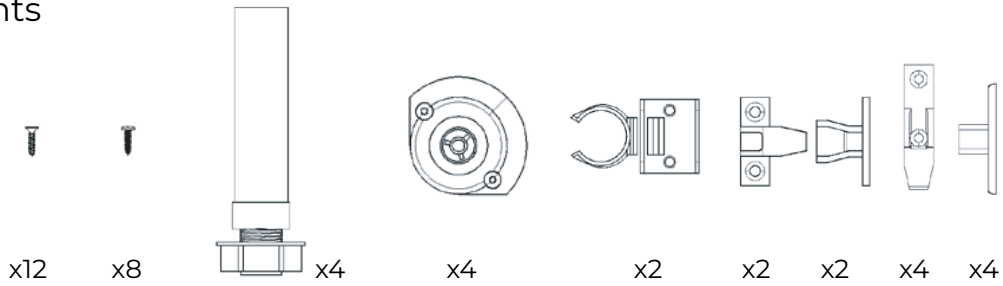


Levelling



Installation Instructions Back To Wall Unit

Contents



Care & Maintenance

Please note that while these units are built for longevity, following the provided guidelines will help to preserve their condition over time.

Avoid cleaning the units with solvent-based or abrasive cleaning agents, e.g. bleach, as these can irreversibly harm the surface finish.

Occasional marks, can in most cases, be wiped away using a soft damp cloth. For more stubborn stains, use a non-silicone-based furniture cleaner. It's important to steer clear of hot soapy water, as it may lead to peeling of the foil. After removing the mark, wipe the area with a damp cloth to remove residue and then dry it with a soft, clean cloth.

To clean the door hinges, gently wipe them with a damp soapy cloth, and then dry them with a soft cloth where needed. The hinges come pre-lubricated, so avoid using any degreasing products, which could disrupt the mechanics of the moving parts. Refrain from exerting pressure on doors that are ajar or fully open to access the units. The hinges are designed to adequately support the weight of the doors. After installation, it's recommended to inspect and tighten the hinge screws every six months to ensure they remain secure.

General Care, Spillage & Splashes

Ensure that no spillages or splashes, including water, remain on any surface. It's essential to promptly dry any such occurrences. Neglecting to do so could reduce the product's life expectancy and void any warranties.



Kindly ensure that you review these guidelines thoroughly prior to initiating any work, and retain them as a reference for future use.